

Product data sheet:
Electric height adjustable desk frame 501-25

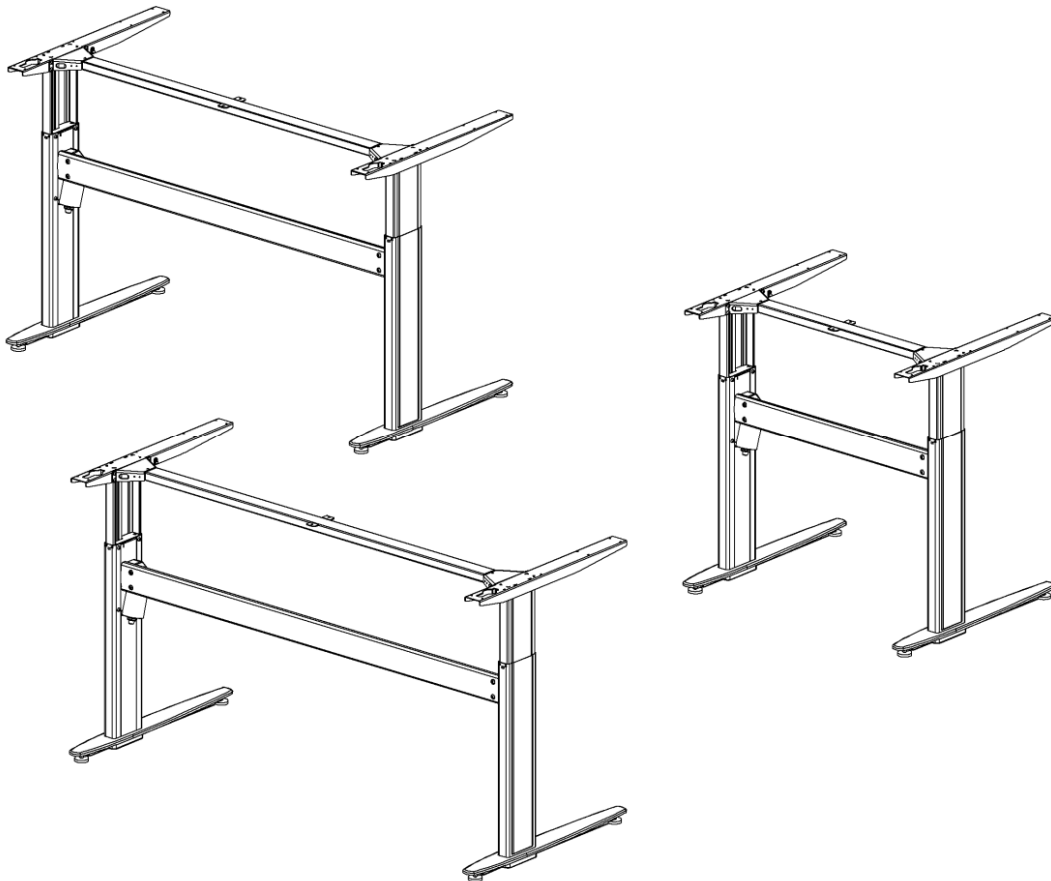


Table of contents

Packing details	page 3
Main measures and specifications	page 4
Tabletop drillings	page 5
Assembly and use	page 6
Safety and tests	page 7
Specification, components	page 8

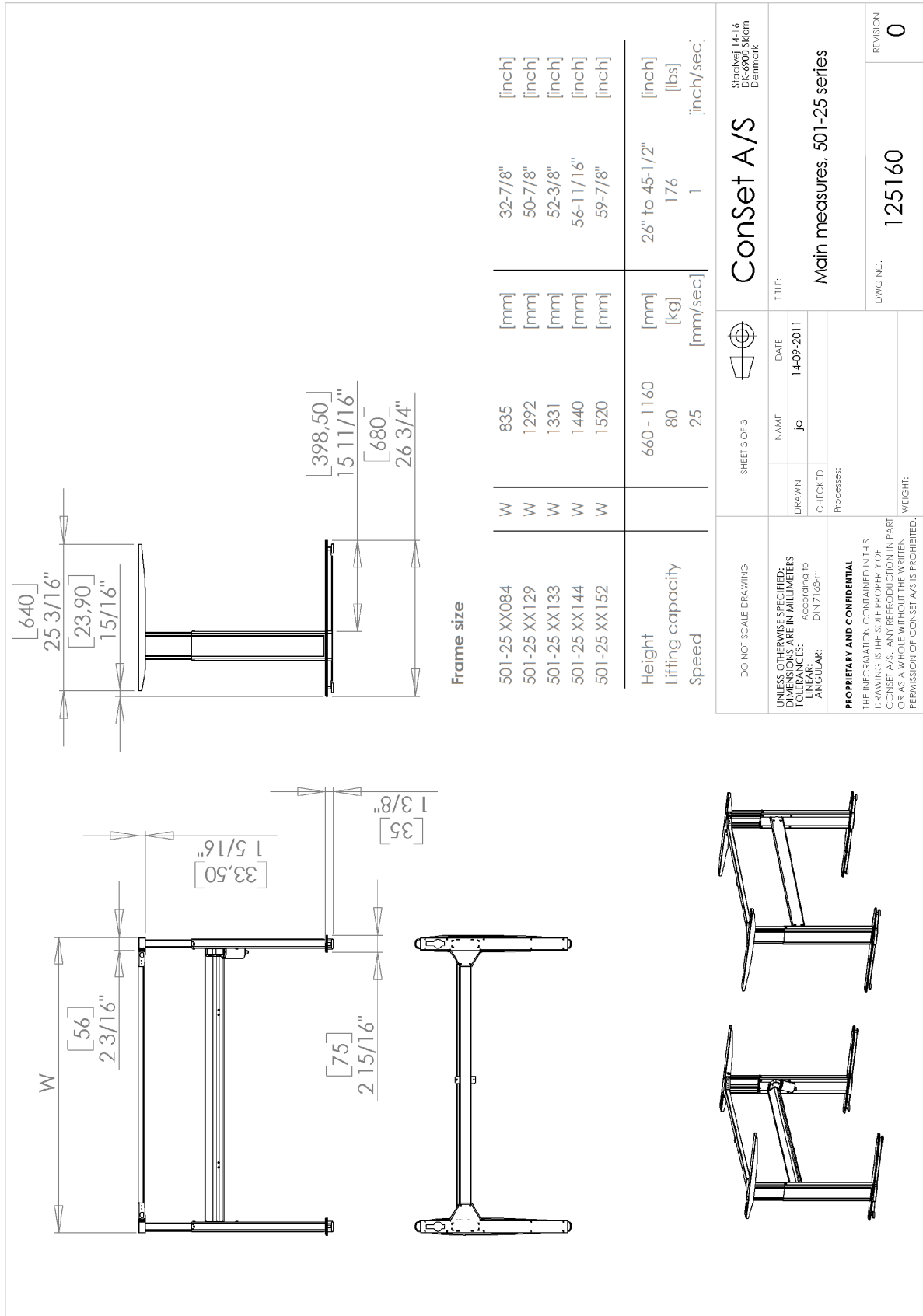
Packing details



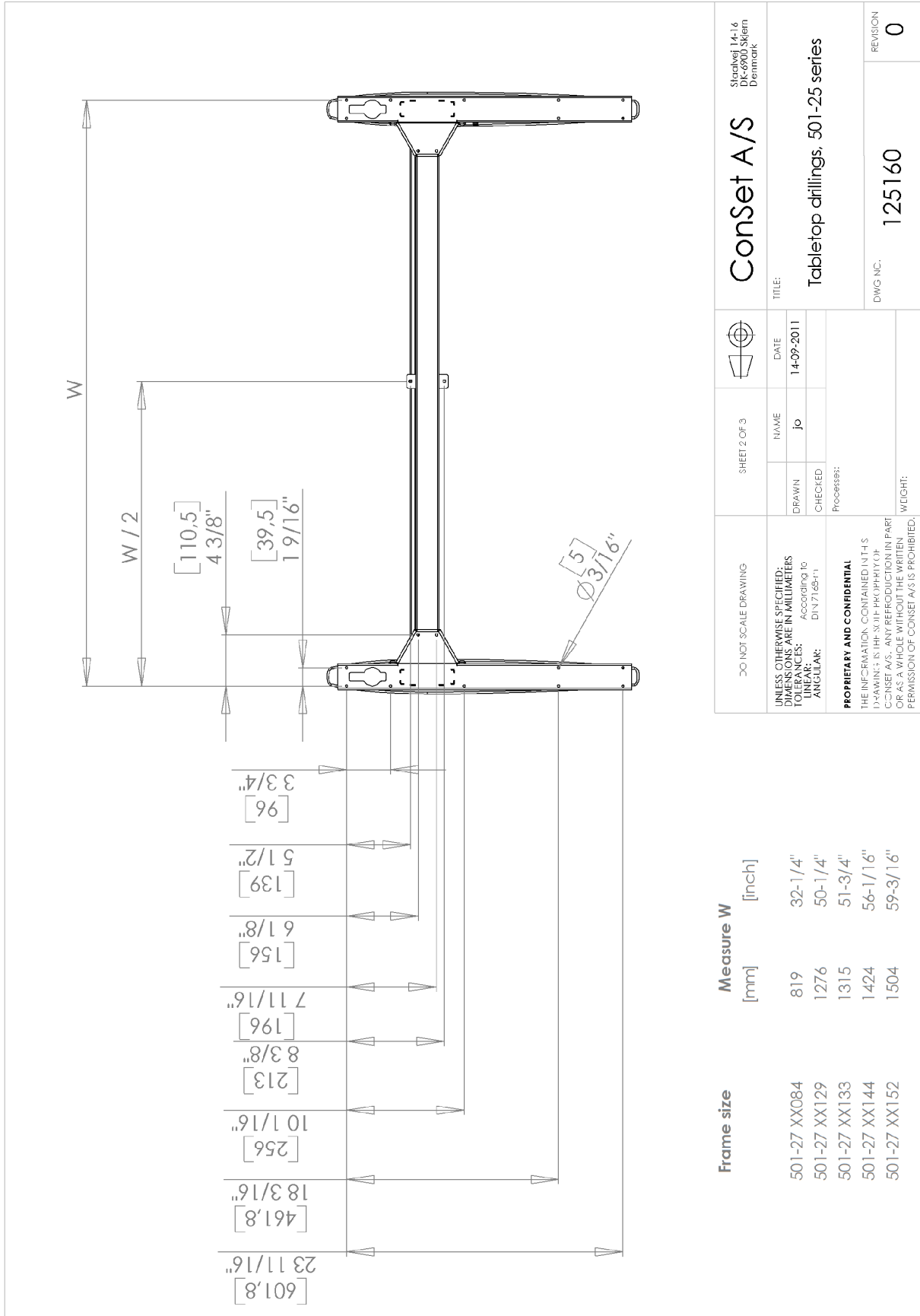
501-25 - box measures				
Box of legs				
501-25 XXXXX	WxDxH	703 x 163 x 678	[mm]	27-11/16" x 6-7/16" x 26-11/16"
Box of cross bars				
501-2X XX084	LxWxH	773 x 177 x 102	[mm]	30-7/16" x 6-15/16" x 4"
501-2X XX129	LxWxH	1230 x 177 x 102	[mm]	48-7/16" x 6-15/16" x 4"
501-2X XX133	LxWxH	1269 x 177 x 102	[mm]	49-7/16" x 6-15/16" x 4"
501-2X XX144	LxWxH	1378 x 177 x 102	[mm]	54-1/4" x 6-15/16" x 4"
501-2X XX152	LxWxH	1458 x 177 x 102	[mm]	30-7/16" x 6-15/16" x 4"
501-25 - box weights				
Box of legs				
501-29 XXXXX		20	[kg]	44
Box of cross bars				
501-2X XX084		6	[kg]	13
501-2X XX129		8	[kg]	18
501-2X XX133		9	[kg]	20
501-2X XX144		9	[kg]	21
501-2X XX152		10	[kg]	22

DO NOT SCALE DRAWING		SHEET 4 OF 4		ConSet A/S		Shanghai & Copenhagen Denmark	
UNLESS OTHERWISE SPECIFIED, DIMENSIONS ARE IN MILLIMETERS	DRAWN	NAME	DATE	TITLE:			
	CHECKED	jo	02-03-2011	Box components			
ANGULAR: DIN 7165-11	Process:		DWG INC. 125160				
PROPRIETARY AND CONFIDENTIAL THE INFORMATION CONTAINED IN THIS DRAWING IS THE SOLE PROPERTY OF CONSET A/S. ANY REPRODUCTION IN PART OR AS A WHOLE WITHOUT THE WRITTEN PERMISSION OF CONSET A/S IS PROHIBITED.		WEIGHT:		REVISION 0			

Main measures and specifications



Tabletop drillings



DO NOT SCALE DRAWING	SHEET 2 OF 3	ConSet A/S	Stachvej 14-16 DK-6900 Skjern Denmark
UNLESS OTHERWISE SPECIFIED, DIMENSIONS ARE IN MILLIMETERS TOLERANCES: LINEAR: ACCORDING TO ANGULAR: DIN 7185-1	NAME: jo DRAWN: [] CHECKED: [] Processes:	TITLE: Tabletop drillings, 501-25 series	REVISION 0
PROPRIETARY AND CONFIDENTIAL THE INFORMATION CONTAINED IN THIS DRAWING IS THE SOLE PROPERTY OF CONSET A/S. ANY REPRODUCTION IN PART OR AS A WHOLE WITHOUT THE WRITTEN PERMISSION OF CONSET A/S IS PROHIBITED.	WEIGHT:	DWG. NO.: 125160	

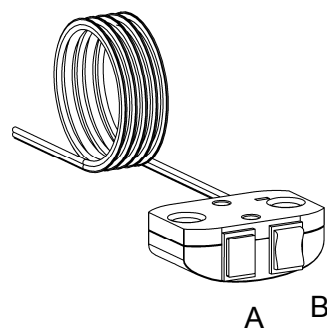
Assembly and use

Along with all products a "Direction for assembly and use" is delivered. In this you will find a detailed description of the way of assembly.



After the frame has been mounted the chosen tabletop is mounted and the operation unit will be possible to fix at the bottom side of the tabletop. This operation unit has two rocker switches.

With push switch A and rocker switch B it is possible to move the tabletop up and down and can be stopped at all levels. For safety reasons it is necessary to push both buttons at the same time for moving the table up and down.



Safety and tests

All products have been tested up against the following norms:

ISO/DIS 8019

DS/ISO 7172

The norms mention above is possible to find at the website in the section “Norms and approvals”.

DECLARATION OF CONFORMITY

We hereby declare, under our sole responsibility that the following products:

- ConSet sit and stand tables product type 501-25

which are covered by this statement, are in conformity with the following standards and other normative documents::

- Counsel Directive 98/37/EF
- Counsel Directive 89/336/EØF with later changes
- Counsel Directive 73/23/EØF with later changes

With reference to the Machinery Directive (98/37/EF) please be aware:

- the sit and stand table is considered a machine and
- the sit and stand table may not be used until it has been assembled and installed according to the instructions.”.

Component specifications

Metal sheet parts:	St 37-2
Gear parts:	St 70-2
Gear motor:	CS no. 107630
Power supply:	80 W AC Power Transformer Input 100-240 VAC ~ 50/60Hz Consumption: 80 Watts; Standby: Less than 1 Watt
Plastic components:	PA6, POM, PE-HD
Surface treatment	Visible metal parts powder coated in "alu" colour, RAL9006 and black, RAL 9004 Non visible metal parts are surface treated (e.g. plated)