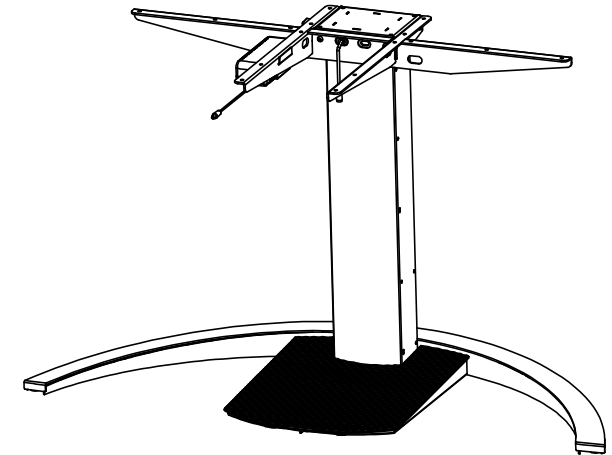
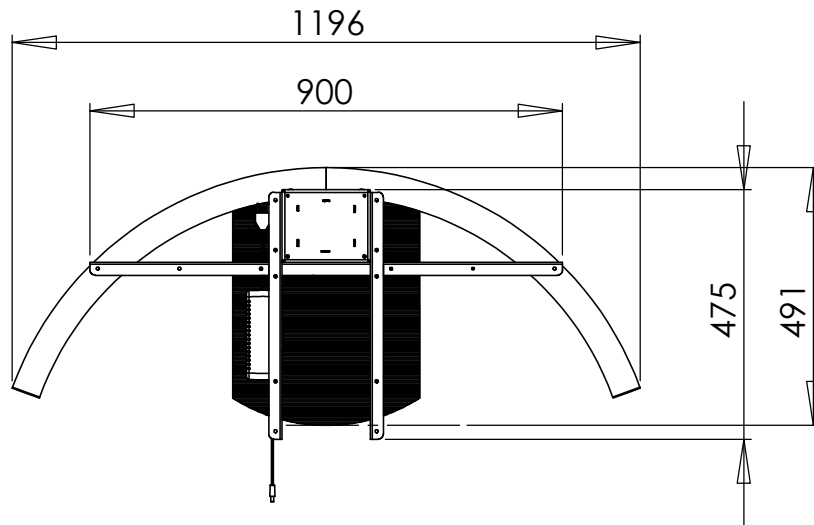



877-492-3552



| | | |
|---|--|--|
| UNLESS OTHERWISE SPECIFIED DIMENSIONS ARE IN MM TOLERANCES ARE: According to DIN 7168-m | MATERIAL SPECIFICATION: | ConSet A/S <small>Staalvej 14-16 6900 Skjern Denmark</small> |
| | --- | |
|  MATERIAL | PROCES SPECIFICATION: | 501-19, 120cm |
| | --- | |
| FINISH | --- | 108510 REV. 0 |
| DO NOT SCALE DRAWING | DRAWN: JO CHECKED: GL DATE: 070206 | |