

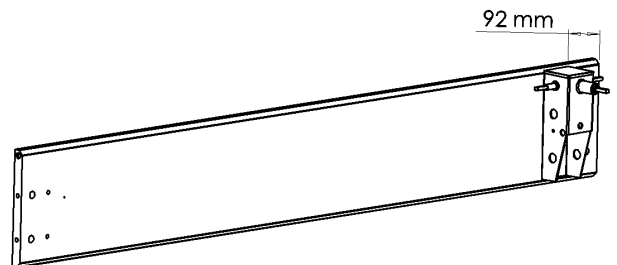
**Mounting instruction, ConSet 3 column
501-11 desk with right side center leg**

Preparing the legs for main table:

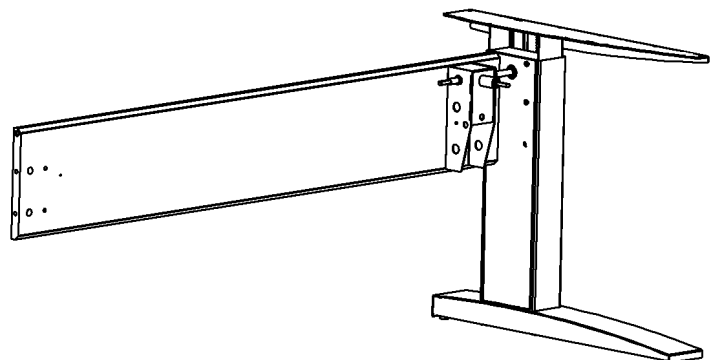
Change 2 screws in each leg to 2 furniture fittings.
OBS: Make sure the 7mm diameter of the furniture fittings goes through the front plate



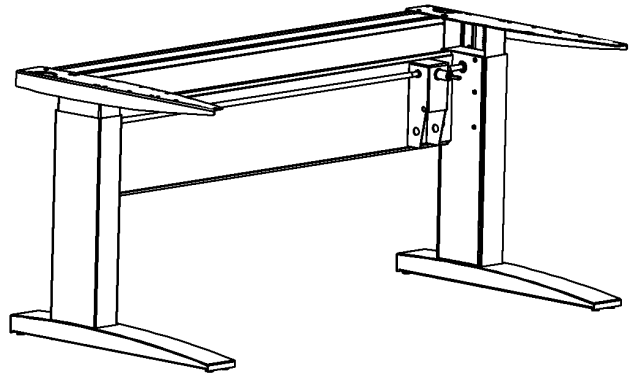
The angle gear is screwed onto the main front plate



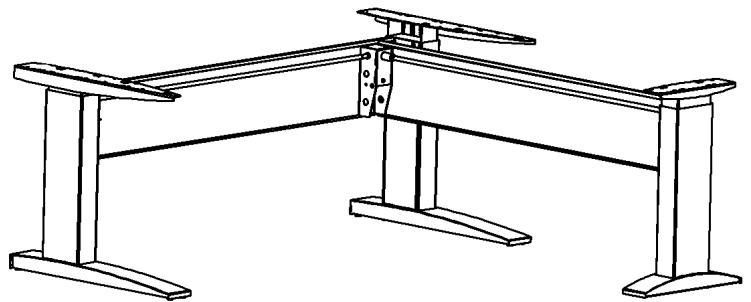
The front plate included gear is connected to the right side leg, remember carrier tube between gear and leg



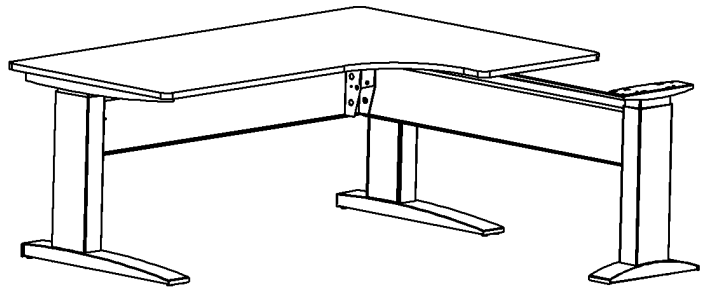
The left leg is connected to the front plate.
Carrier tube between gear and left leg is
assembled at the same time.
Upper travers is mounted.



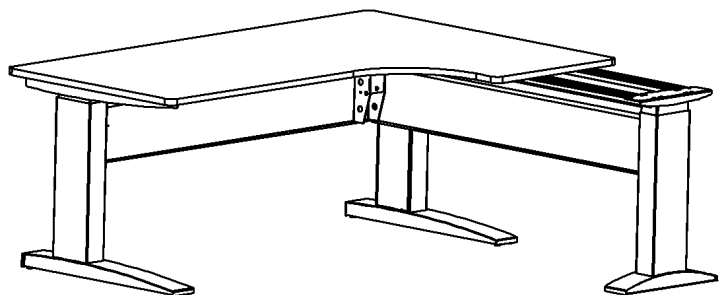
Frontplate for center leg, center leg and the
needed carrier tube is assembled



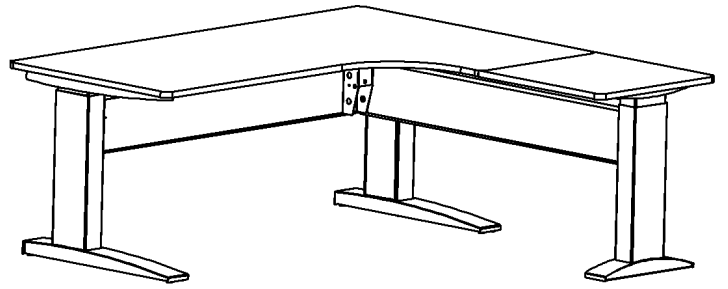
The main tabletop is fixed to the frame with:
8 pcs. wooden screws, which is placed in the
holes closest to the column



Upper traverses for center leg is mounted



The add-on tabletop is placed on the upper traverses and fixed to the frame. Check that the 2 pcs. front plates are standing at right angles to each other before fixing the tabletop



Upper travers for main tabletop is mounted

